

A/C CONTROL SOLUTIONS

specifications and features

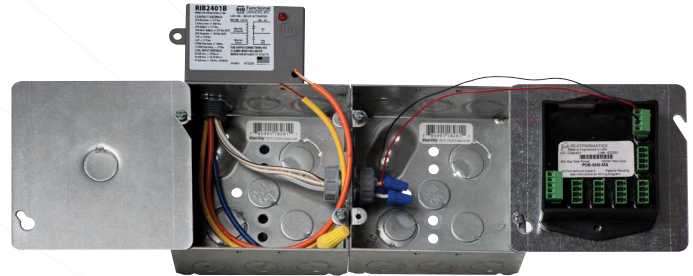
PROJECT INFORMATION

CATALOG #:	
TYPE:	
PROJECT:	
SPECIFIER:	

INTEGRATION WITH A/C SYSTEMS

The A/C Control Solutions enable the PoE system to interface with and control A/C devices. Functions include On/Off control of A/C lighting circuits, 0-10V dimming, and A/C plug load control. Devices are controlled via Connect software.

- ▶ **DEVICE MANAGEMENT IN SOFTWARE**
- ▶ **ZONING, RULES, AND SCHEDULING**
- ▶ **LIGHTING PACKAGE FLEXIBILITY**
- ▶ **PLUG LOAD CONTROL COMPLIANCE**



SPECIFICATIONS

Connect Software Requirement	Minimum V2.1
Cable Requirement*	2-twisted pairs 18-24 AWG Stranded or Solid wire 1 Pair – 1 Mbps differential data pair – CAN 2.0 (ISO 11898-2) 1 Pair – +12 VDC @ 500mAmps Maximum
Sensor Hub Connection Requirement	Flying leads plug into screw terminal blocks
AC Load Rating**	20 Amp Resistive @ 277 Vac 20 Amp Ballast @ 277 Vac 16 Amp Electronic Ballast @ 277 Vac (N/O) 10 Amp Tungsten @ 120 Vac (N/O) 770 VA Pilot Duty @ 120 Vac 1,110 VA Pilot Duty @ 277 Vac 2 HP @ 277 Vac, 1 HP @ 120 Vac

*Not provided

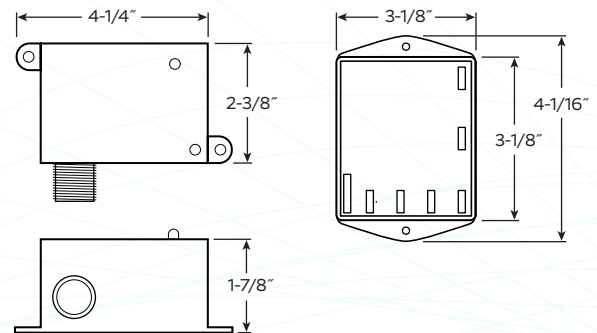
** Reference relay manufacturer's specifications for additional details.

CABLING AND CONNECTOR CONSIDERATIONS
available at PLATFORMATICS.com

ordering information

PRODUCT	CONTROLLER
POE-SB-	ACC AC Lighting Circuit Controller – On/Off
	ACD AC Lighting Circuit Controller – On/Off, 0-10V Dimming
	APL AC Plug Load Controller
	APL-2 AC Plug Load Controller, 2 Circuits

Sample: **POE-SB-ACC**



ENVIRONMENTAL SPECIFICATIONS

Safety Compliance	Compliant with UL 916
ROHS	Compliant
Normal Operating Temperature and Altitude (Density Altitude)	-5°C to +45°C (+23°F to +113°F), up to 5000ft (1500m) -5°C to +40°C (+23°F to +104°F), up to 10,000ft (3000m) Min ambient temperature for cold start is 0°C (+32°F)
Relative Humidity	10% to 95%, non-condensing
Storage Environment	Temperature: -40°C to +70°C (+40°F to +158°F)
Location	For use in dry locations.



A/C CONTROL SOLUTIONS

WIRING CONSIDERATIONS

