

# A/C CONTROL SOLUTIONS

specifications and features

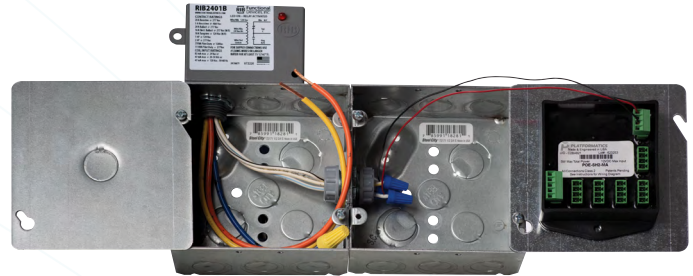
## PROJECT INFORMATION

<b>CATALOG #:</b>	
<b>TYPE:</b>	
<b>PROJECT:</b>	
<b>SPECIFIER:</b>	

## INTEGRATION WITH A/C SYSTEMS

The A/C Control Solutions enable the PoE system to interface with and control A/C devices. Functions include On/Off control of A/C lighting circuits, 0-10V dimming, and A/C plug load control. Devices are controlled via Connect software.

- ▶ **DEVICE MANAGEMENT IN SOFTWARE**
- ▶ **ZONING, RULES, AND SCHEDULING**
- ▶ **LIGHTING PACKAGE FLEXIBILITY**
- ▶ **PLUG LOAD CONTROL COMPLIANCE**



## SPECIFICATIONS

<b>Connect Software Requirement</b>	Minimum V2.1
<b>Cable Requirement*</b>	2-twisted pairs 18-24 AWG Stranded or Solid wire 1 Pair – 1 Mbps differential data pair – CAN 2.0 (ISO 11898-2) 1 Pair – +12 VDC @ 500mA Maximum
<b>Sensor Hub Connection Requirement</b>	Flying leads plug into screw terminal blocks
<b>AC Load Rating**</b>	20 Amp Resistive @ 277 Vac 20 Amp Ballast @ 277 Vac 16 Amp Electronic Ballast @ 277 Vac (N/O) 10 Amp Tungsten @ 120 Vac (N/O) 770 VA Pilot Duty @ 120 Vac 1,110 VA Pilot Duty @ 277 Vac 2 HP @ 277 Vac, 1 HP @ 120 Vac

\*Not provided

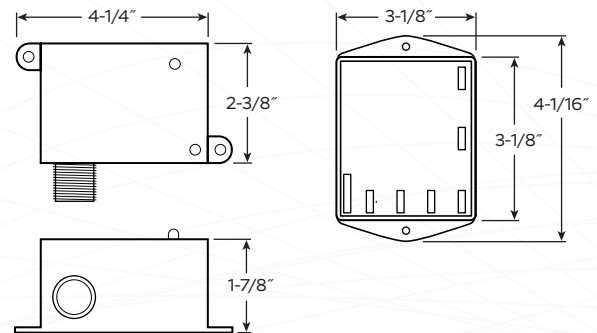
\*\* Reference relay manufacturer's specifications for additional details.

**CABLING AND CONNECTOR CONSIDERATIONS**  
available at [PLATFORMATICS.com](http://PLATFORMATICS.com)

## ordering information

PRODUCT	CONTROLLER
<b>POE-SB-</b>	<b>ACC</b> AC Lighting Circuit Controller – On/Off
	<b>ACD</b> AC Lighting Circuit Controller – On/Off, 0-10V Dimming
	<b>APL</b> AC Plug Load Controller
	<b>APL-2</b> AC Plug Load Controller, 2 Circuits

Sample: **POE-SB-ACC**



## ENVIRONMENTAL SPECIFICATIONS

<b>Safety Compliance</b>	Compliant with UL 916
<b>ROHS</b>	Compliant
<b>Normal Operating Temperature and Altitude (Density Altitude)</b>	-5°C to +45°C (+23°F to +113°F), up to 5000ft (1500m) -5°C to +40°C (+23°F to +104°F), up to 10,000ft (3000m) Min ambient temperature for cold start is 0°C (+32°F)
<b>Relative Humidity</b>	10% to 95%, non-condensing
<b>Storage Environment</b>	Temperature: -40°C to +70°C (+40°F to +158°F)
<b>Location</b>	For use in dry locations.



# A/C CONTROL SOLUTIONS

## WIRING CONSIDERATIONS

