

MOTION & DAYLIGHT CEILING SENSOR

installation instructions

CONTENTS

INSTALLATION NOTES1
CEILING MOUNTED SENSOR (POE-CS2-CLG)2
▶ Tools And Equipment Needed2
▶ Electrical Box Specifications2
▶ Installation.2
▶ Drawings2
FIXTURE MOUNTED SENSOR (POE-CS2-FIX)3
▶ Rectangular Cutout Specifications3
▶ Installation.3
▶ Drawings3

INSTALLATION NOTES

1. Take ESD (electrostatic discharge) precautions when servicing hardware.
2. This product is for use with a compatible LED luminaire and/or Platformatics Lighting Node.
3. Ensure all connections comply with the National Electrical Codes and local regulations.



MOTION & DAYLIGHT CEILING SENSOR

ceiling mounted sensor (POE-CS2-CLG)

TOOLS AND EQUIPMENT NEEDED

- ▶ Philips Screwdriver
- ▶ 5 Position 3.8mm pluggable terminal block (Phoenix Contact 1827156 or equivalent)

ELECTRICAL BOX SPECIFICATIONS

- ▶ 2.75" OC mounting holes, #8-32 threads
- ▶ Depth: Minimum 2" total
- ▶ Examples: 4" x 1-1/2" Square box with 4" x 1/2" Square Box Fixture Cover (Raco 767 or equivalent)

INSTALLATION

Step 1 – Mount the electrical box so 2-3/4" OC mounting holes are flush with finished mounting surface.

Step 2 – Wire the pluggable terminal block and plug into the PBUS connector.

Position	1 (S)	2 (-)	3 (+)	4 (L)	5 (H)
Signal	Shield	DC Power -	DC Power +	Data Low	Data High
Wire Color	No Connection	Black	Red	White	Green

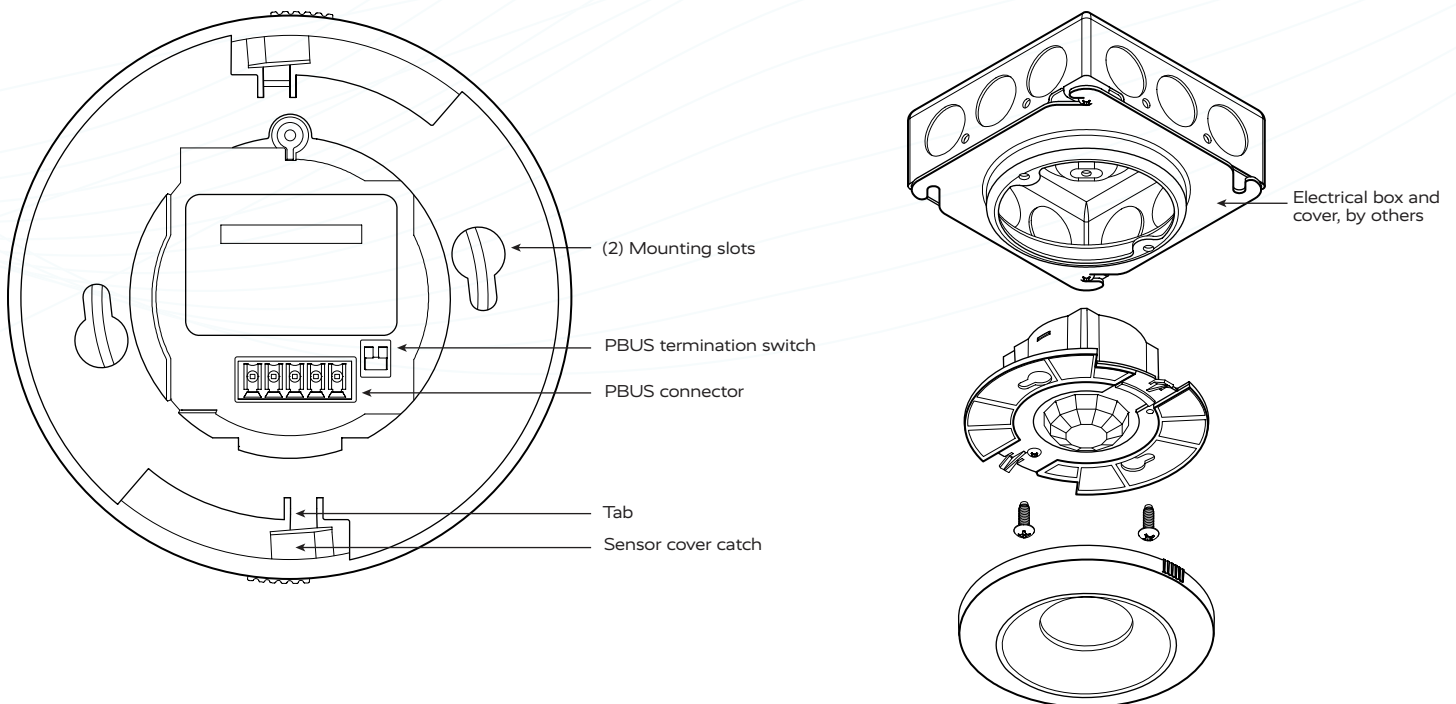
Step 3 – Enable bus termination (if required). If multiple sensors are installed on the same PBUS segment, set termination to "Enable" on the last sensor in line by flipping the switch up. Set termination on other sensors on that PBUS line to "Disable" by flipping the switch down.

Step 4 – Mount sensor onto electrical box using the provided #8-32 screws.

Step 5 – Install sensor cover. Align catches with slots in sensor mounting plate and rotate clockwise until catches click into the tabs on the sensor mounting plate.

Step 6 – Commission the sensor per the [PLATFORMATICS DEPLOYMENT GUIDE](#).

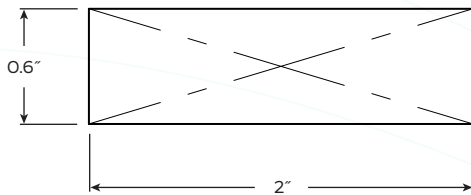
DRAWINGS



MOTION & DAYLIGHT CEILING SENSOR

fixture mounted sensor (POE-CS2-FIX)

RECTANGULAR CUTOUT SPECIFICATIONS



INSTALLATION

Step 1 – Use sensor cable assembly 33200117 or equivalent cable (by others).

Step 2 – Plug sensor cable assembly into sensor PBUS connector.

Position	1	2	3	4
Signal	Data High	Data Low +	DC Power +	DC Power –
Wire Color	Green	White	Red	Black

Step 4 – Snap sensor into cutout.

Step 5 – Commission the sensor per the [PLATFORMATICS DEPLOYMENT GUIDE](#).

DRAWINGS

