

MOTION & DAYLIGHT SENSOR

Low-profile and architecturally-styled, these sensors enable energy code compliance and automated lighting control for your project

PROJECT INFORMATION	
CATALOG #:	
TYPE:	
PROJECT:	
SPECIFIER:	

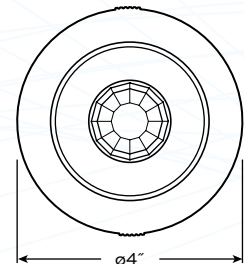
- PIR MOTION SENSOR**
 Presence sensing via PIR (passive infrared) sensor. Sensing can be set to either occupancy or vacancy using software.
- LIGHT LEVEL SENSOR**
 The light level sensor enables customers to maintain constant light levels while maximizing savings. The sensor detects changes in ambient light and automatically adjusts electric light output to optimize power consumption.
- NODE CONNECTION**
 The sensor conveniently connects to any Platformatics node. This enables users to easily add sensors anytime, anywhere.
- SENSOR AUTO DETECTION**
 Each sensor is automatically detected by the node. This ensures the newly added sensors are discovered by the Area Controller. Once visible, the sensor can simply be configured to work within any zone.
- LED INDICATOR**
 Signals a motion detection event has occurred



IN-FIXTURE SENSOR



CEILING SENSOR



LEVEL FEATURES

Level 1 Connect	Group sensors and lights into zones for granular daylighting control and motion response. Set motion sensing to occupancy or vacancy modes. Create rules to control sensor behavior throughout the day: changing timeout and target light levels after occupancy/vacancy.
------------------------	---

CABLING AND CONNECTOR CONSIDERATIONS
available at PLATFORMATICS.com

ordering information

PRODUCT	MOTION	DAYLIGHT	MOUNTING	FINISH COLOR	CONNECTOR
POE-CS2- PoE Gen 2 Sensor	PIR- Passive Infrared Motion Detection	DAY- Daylight Harvesting	CLG- Ceiling FIX- In-fixture	WT- White BK- Black	ST Screw Terminal* CA Cable Assembly**

Sample: **POE-CS2-PIR-DAY-CLG-WT-ST**

* CLG Mounting only.
**FIX Mounting only. Sensor equipped with JST PH Header.



MOTION & DAYLIGHT SENSOR

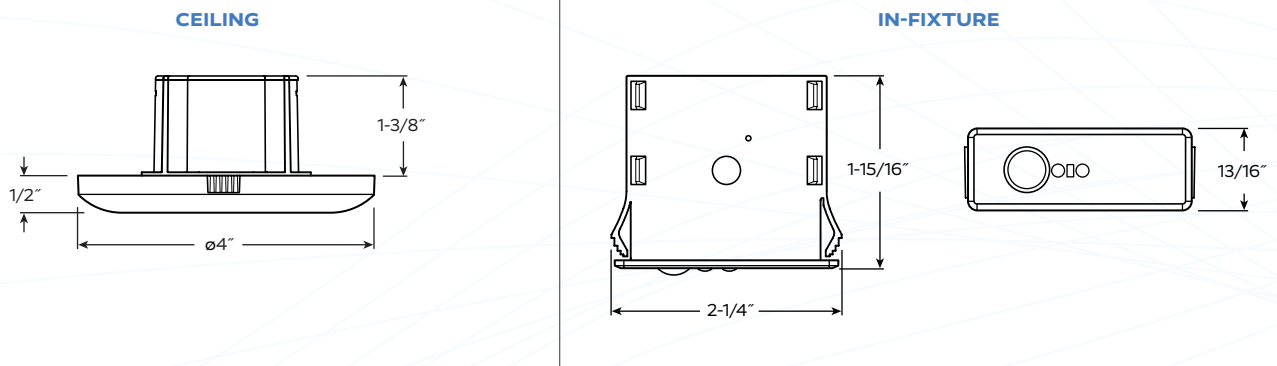
SPECIFICATIONS

Connect Software Requirement	Minimum V2.0
Input	12-24VDC
Power	<0.5W
Safety Compliance	Compliant with UL 916
ROHS	Compliant

ENVIRONMENTAL SPECIFICATIONS

Operating Temperature	-30°C to +50°C (-22°F to +122°F)
Relative Humidity	10% to 85%, noncondensing
Storage	-40°C to +70°C (-40°F to +158°F)
Location	For use in dry locations.

MOUNTING OPTIONS



COVERAGE PATTERNS

