

ENERGY MONITORING SOLUTION

specifications for energy sensors and sensor hub

PROJECT INFORMATION

CATALOG #:	
TYPE:	
PROJECT:	
SPECIFIER:	

ENERGY MONITORING AND ANALYSIS

- ▶ **UP TO 4 CURRENT TRANSDUCERS (CT)**
- ▶ **1 SENSOR HUB**
- ▶ **DASHBOARDS**
Gauges of real-time sensor readings and graphs of past data to help identify trends and/or potential problems.
- ▶ **REPORTS**
Download reports to analyze historical data.

LEVEL FEATURES

Level 1 Connect	Real-time device level monitoring through a user interface
Level 2 Advise	Dashboards and reports Real-time gauges and historical trends LEED v4 (BD+C EQ) for Mechanically Ventilated Spaces compliant

SPECIFICATIONS

Connect Software Requirement	Minimum V2.0
Cable Requirement*	18-24 gauge 2-conductor cable attaches each sensor to sensor hub
Sensor Hub Connection Requirement	Flying leads plug into screw terminal blocks

*Not provided

CABLING AND CONNECTOR CONSIDERATIONS

available at PLATFORMATICS.com

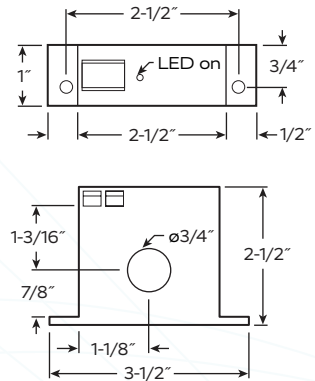
ordering information

PRODUCT	CT QUANTITY
POE-IOT-SB-CTM Energy Sensor	1
	2
	3
	4

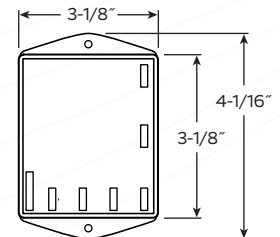
Sample: **POE-IOT-SB-CTM4**



CIRCUIT-MOUNTED CURRENT TRANSDUCER



REMOTE-MOUNTED SENSOR HUB



ENERGY MONITORING SOLUTION



Dashboard featuring live gauges of current sensor levels and trendline graphs of the past 7 days.

SENSOR SPECIFICATIONS

Normal Operating Temperature	-30°C to +70°C (-22°F to +158°F)
Input Current Ranges	0 to 10/0 to 20/0 to 50 Amps
Maximum Input Current	80/120/200 Amps continuous
Protection Circuitry	80/120/200 Amps continuous
Response Time	250 milliseconds
Enclosure Material	ABS plastic, UL 94 V-0 flammability
Output Signal	0 to 10VDC

SENSOR HUB ENVIRONMENTAL SPECS

ROHS	Compliant
Normal Operating Temperature and Altitude (Density Altitude)	-5°C to +45°C (+23°F to +113°F), up to 5000ft (1500m) -5°C to +40°C (+23°F to +104°F), up to 10,000ft (3000m) Min ambient temperature for cold start is 0°C (+32°F)
Relative Humidity	10% to 95%, non-condensing
Storage Environment	Temperature: -40°C to +70°C (+40°F to +158°F)
Location	For use in dry locations.

WIRING CONSIDERATIONS

