

CENTRALIZED EMERGENCY SOLUTION

specifications and features

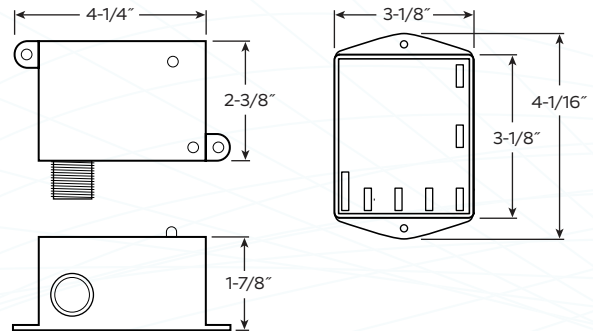
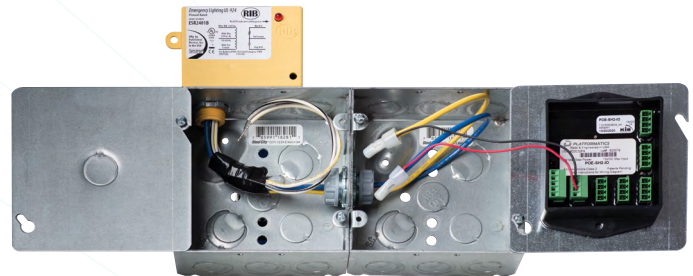
PROJECT INFORMATION

CATALOG #:	
TYPE:	
PROJECT:	
SPECIFIER:	

EMERGENCY MAINTAINED LIGHTING SOLUTION

The Centralized Emergency Solution helps to ensure continuous operation of designated fixtures upon loss of primary power. The solution monitors line voltage from a circuit originating at a breaker panel. When power is lost, the system receives a signal to enter emergency mode. Fixtures must be powered by an Ethernet switch that is backed up by a UPS and/or genset in order to be emergency maintained.

- ▶ SEAMLESS POWER TRANSITION
- ▶ ANY POE FIXTURE CAN BE EMERGENCY MAINTAINED
- ▶ EASY INSTALLATION AND CONFIGURATION
- ▶ FAILSAFE OPERATION
- ▶ INCLUDES RELAY, SENSOR HUB, AND MOUNTING



SPECIFICATIONS

Connect Software Requirement	Minimum V2.1
Cable Requirement*	2-twisted pairs 18-24 AWG Stranded or Solid wire 1 Pair – 1 Mbps differential data pair – CAN 2.0 (ISO 11898-2) 1 Pair – +12 VDC @ 500mAmps Maximum
Sensor Hub Connection Requirement	Flying leads plug into screw terminal blocks
Relay Coil Current**	50 mA @ 18 Vac 83 mA @ 24 Vac 47 mA @ 120 Vac 33 mA @ 24 Vdc 35 mA @ 24 Vdc 47 mA @ 24 Vdc
Relay Coil Voltage Input **	24 Vac/dc; 120 Vac; 50-60 Hz Drop Out = 2.1 Vac / 3.8 Vdc Pull In = 18 Vac / 22 Vdc

*Not provided

** Reference relay manufacturer's specifications for additional details.

ENVIRONMENTAL SPECIFICATIONS

Safety Compliance	Compliant with UL 916 & UL 924
ROHS	Compliant
Normal Operating Temperature and Altitude (Density Altitude)	-5°C to +45°C (+23°F to +113°F), up to 5000ft (1500m) -5°C to +40°C (+23°F to +104°F), up to 10,000ft (3000m) Min ambient temperature for cold start is 0°C (+32°F)
Relative Humidity	10% to 95%, non-condensing
Storage Environment	Temperature: -40°C to +70°C (+40°F to +158°F)
Location	For use in dry locations.

ordering information

PRODUCT

POE-SB-EMD

Centralized Emergency Solution

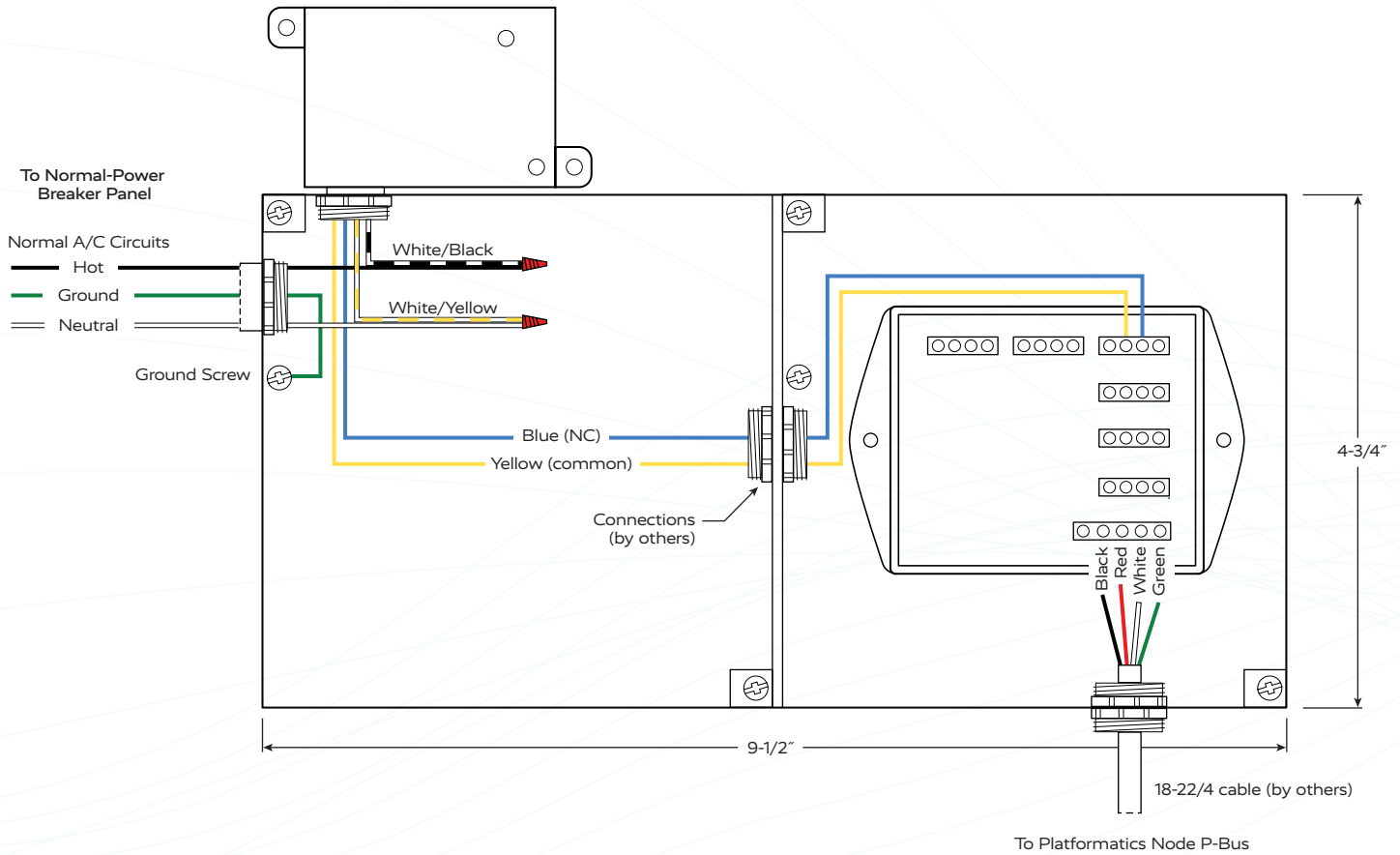
Sample: **POE-SB-EMD**

CABLING AND CONNECTOR CONSIDERATIONS
available at PLATFORMATICS.com



CENTRALIZED EMERGENCY SOLUTION

WIRING CONSIDERATIONS



CENTRALIZED EMERGENCY SOLUTION

SYSTEM DIAGRAM

