

PoE LIGHT NODE ASSEMBLY

specifications for 1, 2, and 4 channels

PROJECT INFORMATION

CATALOG #:	
TYPE:	
PROJECT:	
SPECIFIER:	

EASY INSTALLATION & INTEGRATION

Nodes offer installers a quick and seamless connection using a low-voltage pluggable connector/terminal block combination to attach nearly any LED troffer or downlight.

STANDARD NODE OPERATION

Auto Discovery, Autonomous Control, RGB Color & Tunable White Light, 90 Watt Capacity

CENTRAL EMERGENCY POE DRIVER OPTION

For centrally-powered egress fixtures. Central Emergency, "CE", Nodes provide UL924 listed egress lighting when used with maintained PoE switches. Requires one POE-SB-EMD per system for power loss detection.

AUTOMATIC OVERRIDE AND RESTORE

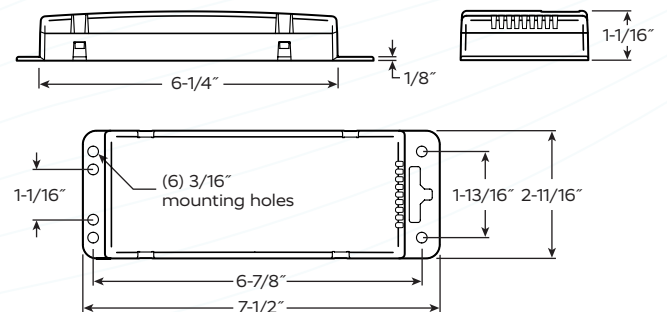
Optional Central Emergency Nodes automatically override lighting level and controls to maintain required egress lighting during a power outage. Lights return to previous levels and normal operation when power is restored.



LIGHT NODE ASSEMBLY



CE OPTION



CABLING AND CONNECTOR CONSIDERATIONS
available at PLATFORMATICS.com

ordering information

PRODUCT	APPLICATION	OPTIONS	CONNECTOR
POE-LN2- PoE Light Node Assembly (Gen 2)	1U- 1 Channel 2U- 2 Channel 4U- 4 Channel	CE- Node for use with centralized emergency power*	ST Screw Terminal

Sample: **POE-LN2-2U-ST**

* System must include one Platformatics POE-SB-EMD per POE-CONNECT instance.



PoE LIGHT NODE ASSEMBLY

SPECIFICATIONS

Connect Software Requirement	Minimum V2.0
Ethernet Interface	10 BASE-T MDI RJ-45
Ethernet Interface Power Specification	Complies with power levels of IEEE 802.3af, 802.3at and 802.3bt, PoE, PoE+, UPoE or UPoE+ (Power over Ethernet)
Max Input/Output Voltage	60V DC/50V DC
Maximum Power Draw	Up to 90 Watts
Maximum Output Current	Channel and Model Dependent 100- 2000mA, DC 1 to 4 Channels Nominal Maximum Output Current as Supplied.
Peripheral Communication Bus	2-twisted pairs 18-24 AWG Stranded or Solid wire 1 Pair - 1 Mbps differential data pair - CAN 2.0 (ISO 11898-2) 1 Pair - +12 VDC @ 500mAmps Maximum
Maximum Aggregate Power Output	Up to 90 Watts (Including all 4 LED Channels and Peripheral Keypads & Sensors)

ENVIRONMENTAL SPECIFICATIONS

Safety Compliance	UL 916 & UL 2108 - E480040 UL 924 - E488449
ROHS	Compliant
Normal Operating Temperature and Altitude (Density Altitude)	-5°C to +45°C (+23°F to +113°F), up to 5000ft (1500m) -5°C to +40°C (+23°F to +104°F), up to 10,000ft (3000m) Min ambient temperature for cold start is 0°C (+32°F)
Relative Humidity	10% to 95%, noncondensing
Storage Environment	Temperature: -40°C to +70°C (+40°F to +158°F)
Location	For use in dry locations.

